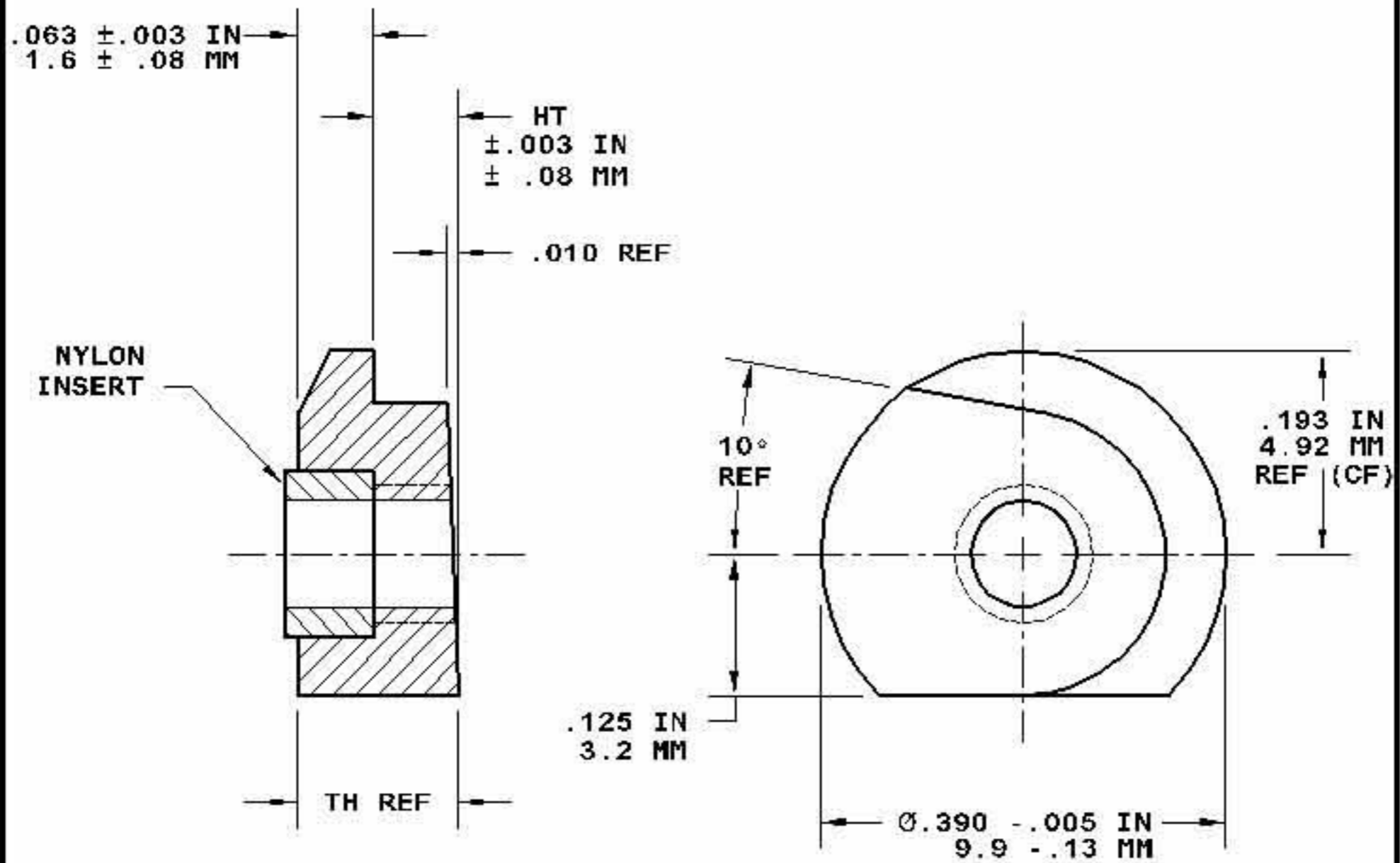


**CM13**

**SERIES**

PAGE 14  
COMPONENT  
MOUNTING CLAMPS



SUFFIX	MATERIAL	FINISH
S6	STAINLESS STEEL 316	CLEAR PASSIVATE

TOLERANCES			
INCH		METRIC	
.XXX	$\pm .005$	.XX	$\pm .13$

CATALOG NO.	HT		TH		
	IN	MM	IN	MM	
CM13-1912.062	S6	.062	1.6	.125	3.2
CM13-1915.093	S6	.093	2.4	.156	4.0
CM13-1918.125	S6	.125	3.2	.125	3.2

**IMPULSE**

**MECHANISMS INC**

78-82 N INDUSTRY CT  
DEER PARK NY 11729  
TEL (631) 586-5755  
FAX (631) 586-5757