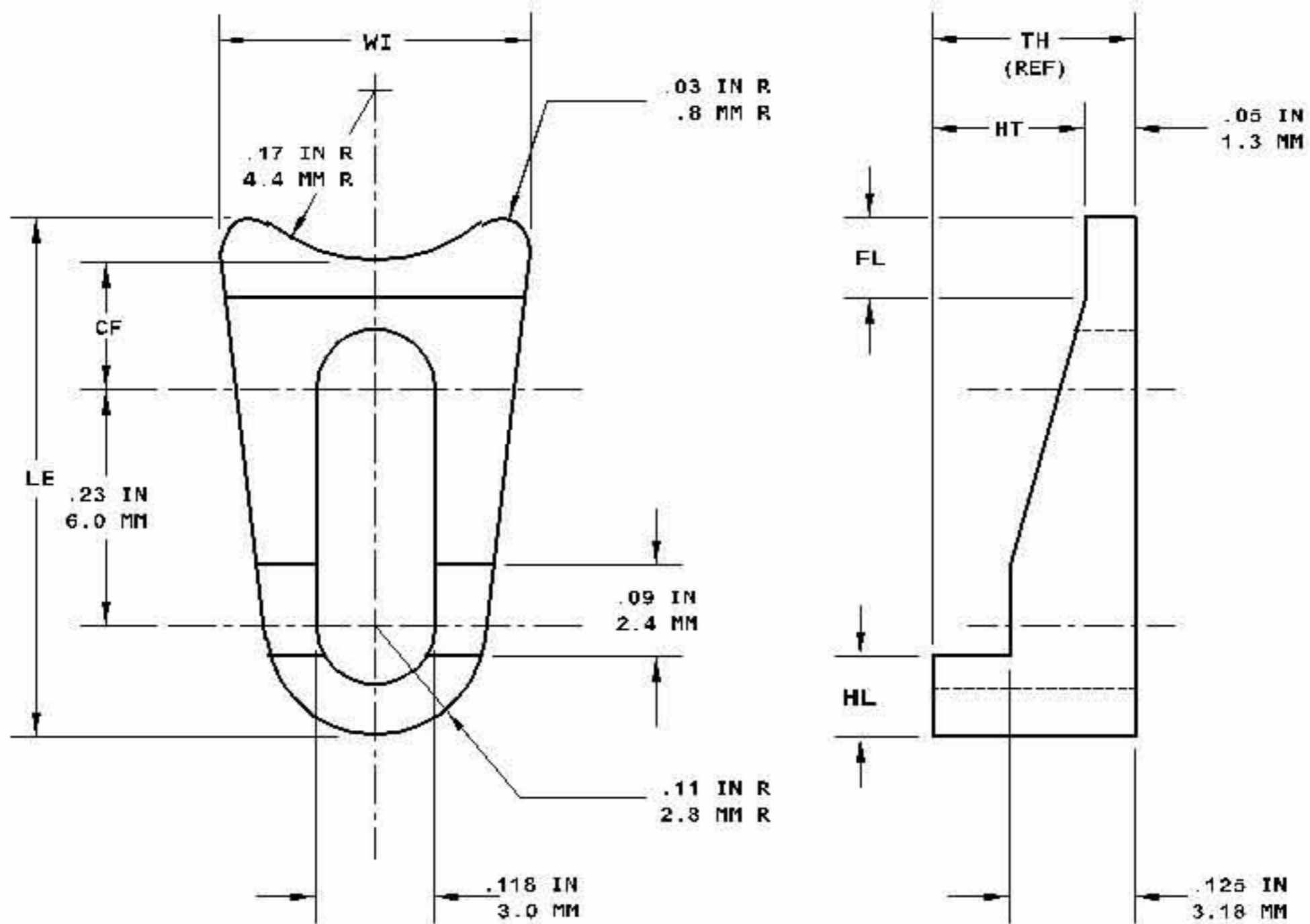


CM6

SERIES

PAGE 8  
ADJUSTABLE  
COMPONENT  
MOUNTING CLAMPS



SUFFIX	MATERIAL	FINISH
S	STAINLESS STEEL 303	CLEAR PASSIVATE
SX	STAINLESS STEEL 303	BLACK OXIDE

TOLERANCES			
INCH		METRIC	
.XX	±.016	.X	±.4
.XXX	±.005	.XX	±.13

CATALOG NO.		HT		TH		LE		WI		FL		CF		HL	
SUFFIX		IN	MM	IN	MM	IN	MM	IN	MM	IN	MM	IN	MM	IN	MM
CM6-1312.075	S	.075	1.91	.125	3.18										
CM6-1314.096	S SX	.096	2.44	.146	3.71	.51	13.1	.31	7.9	.08	2.0	.13	3.3	.08	2.0
CM6-1320.153	S SX	.153	3.89	.203	5.16										

IMPULSE MECHANISMS INC

78-82 N INDUSTRY CT  
DEER PARK NY 11729  
TEL (631) 586-5755  
FAX (631) 586-5757