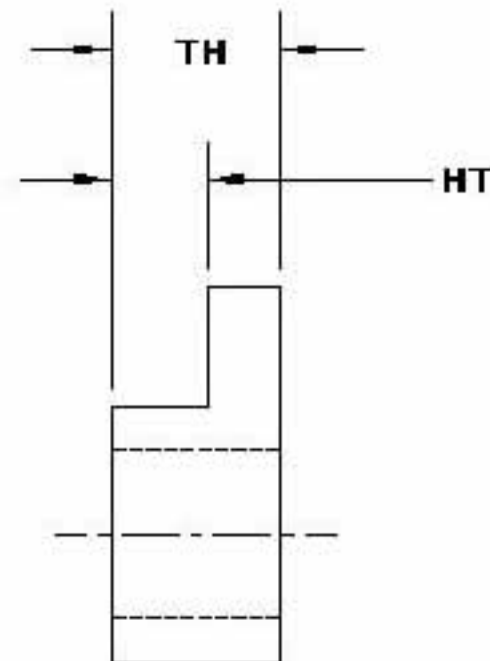
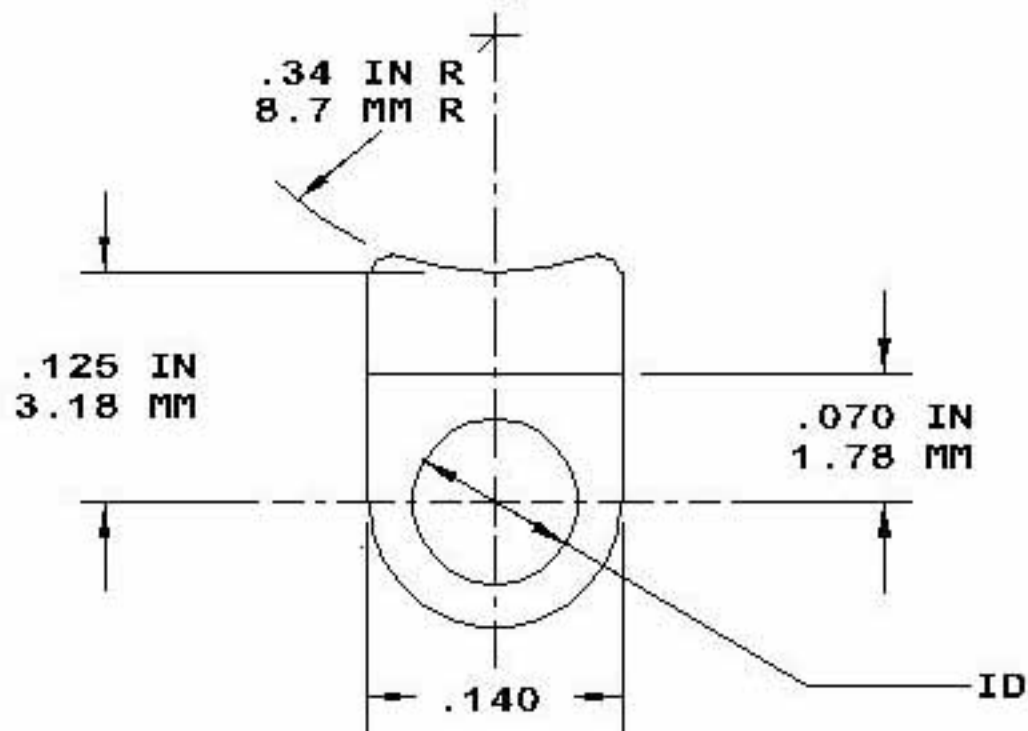


# CM7

# SERIES

PAGE 9  
COMPONENT  
MOUNTING CLAMPS



SUFFIX	MATERIAL	FINISH
S	STAINLESS STEEL 303	CLEAR PASSIVATE
D	ALUMINUM 2024-T351	ALODINE

TOLERANCES			
INCH		METRIC	
.XX	±.016	.X	±.4
.XXX	±.005	.XX	±.13

CATALOG NO.		HT		TH		ID	
SUFFIX		IN	MM	IN	MM	IN	MM
CM7-1209.052	S	.052	1.32	.093	2.36	.093	2.36
CM7-1212.083	S	.083	2.11	.125	3.18		