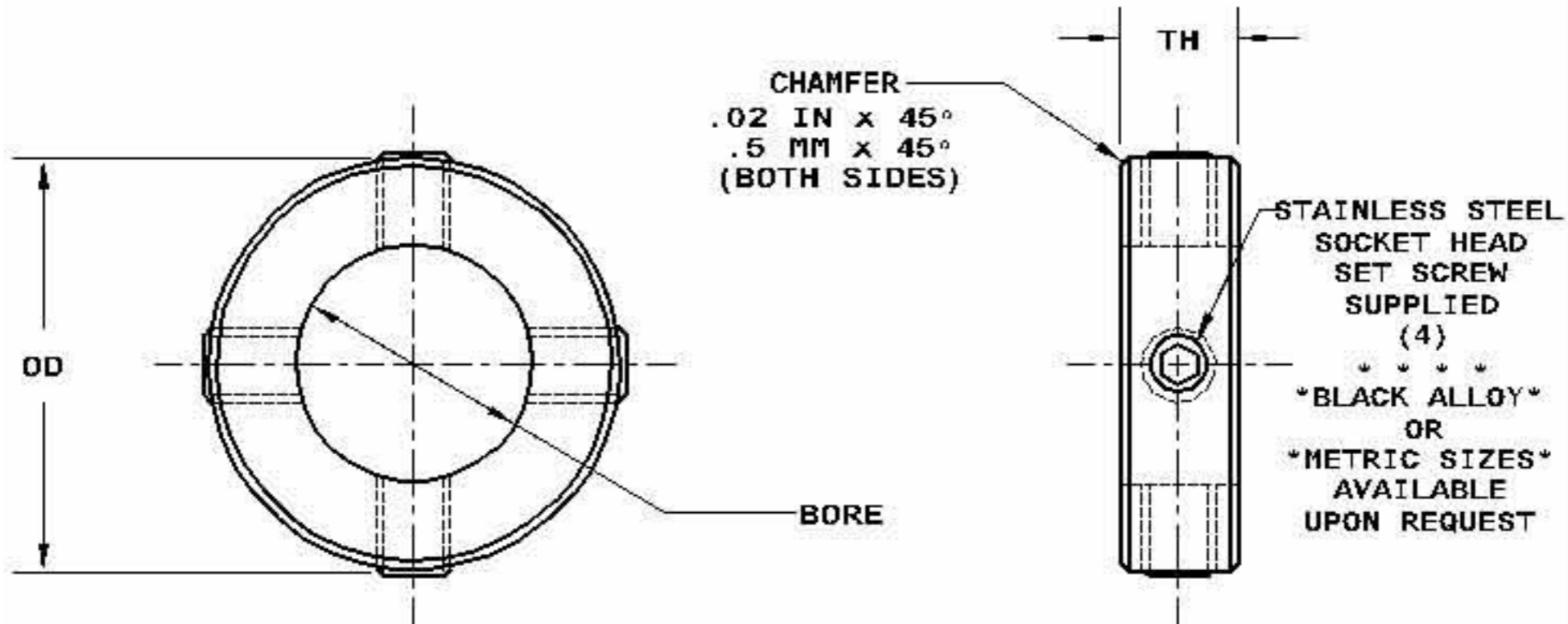


CR1

SERIES

PAGE 20
COLLARS
4 SCREW TYPE



SUFFIX	MATERIAL	FINISH
A	ALUMINUM 2024-T351	CHROMIC ACID ANODIZE
S	STAINLESS STEEL 303	CLEAR PASSIVATE

TOLERANCES			
INCH		METRIC	
.XX	±.016	.X	±.4
.XXX	±.005	.XX	±.13
BORE	+.001	BORE	+.026

CATALOG NO.	SUFFIX	BORE		OD		TH		SCREW
		IN	MM	IN	MM	IN	MM	
CR1-1012.0995	S	.0995	2.53					
CR1-1012.1181	S	.1181	3.00	.312	7.92	.125	3.18	2-56
CR1-1012.1255	S	.1255	3.19					
CR1-1213.1880	S	.1880	4.78	.375	9.53	.130	3.30	4-40
CR1-1213.1969	S	.1969	5.00					
CR1-1225.1255	A S	.1255	3.19					
CR1-1225.1575	A S	.1575	4.00					
CR1-1225.1811	A S	.1811	4.60	.375	9.53	.250	6.35	4-40
CR1-1225.1880	A S	.1880	4.78					
CR1-1225.1969	A S	.1969	5.00					
CR1-1625.2505	A S	.2505	6.36					
CR1-1625.2598	A S	.2598	6.60					
CR1-1625.2756	A S	.2756	7.00	.500	12.70	.250	6.35	6-32
CR1-1625.3130	A S	.3130	7.95					
CR1-1625.3150	A S	.3150	8.00					
CR1-1625.3386	A S	.3386	8.60					
CR1-2431.3750	A S	.3750	9.53					
CR1-2431.3937	A S	.3937	10.00					
CR1-2431.4370	A S	.4370	11.10	.750	19.05	.312	7.92	10-32
CR1-2431.4567	A S	.4567	11.60					
CR1-2431.4724	A S	.4724	12.00					
CR1-2831.5000	A S	.5000	12.70					
CR1-2831.5118	A S	.5118	13.00					
CR1-2831.5354	A S	.5354	13.60					
CR1-2831.5620	A S	.5620	14.27	.875	22.23	.312	7.92	10-32
CR1-2831.5906	A S	.5906	15.00					
CR1-2831.6250	A S	.6250	15.88					
CR1-2831.6299	A S	.6299	16.00					

IMPULSE MECHANISMS INC

78-82 N INDUSTRY CT
DEER PARK NY 11729
TEL (631) 586-5755
FAX (631) 586-5757