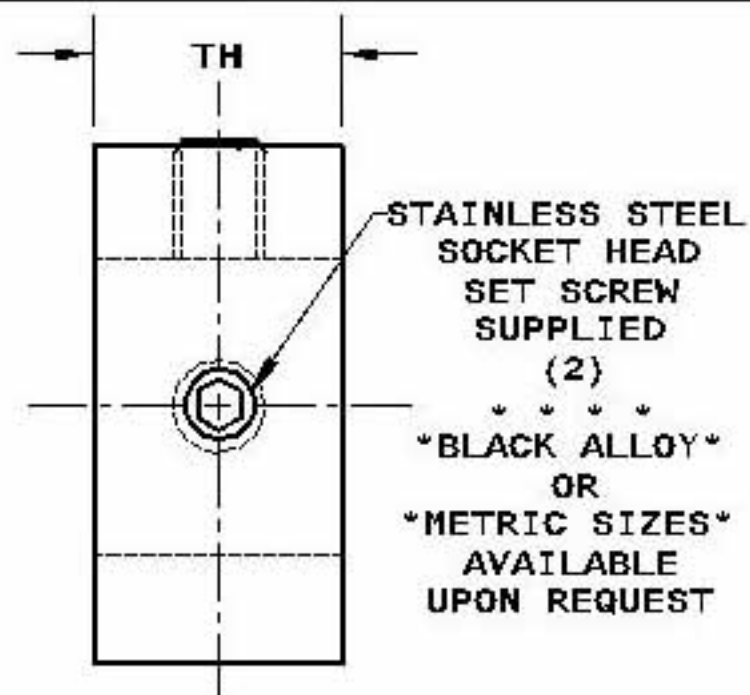
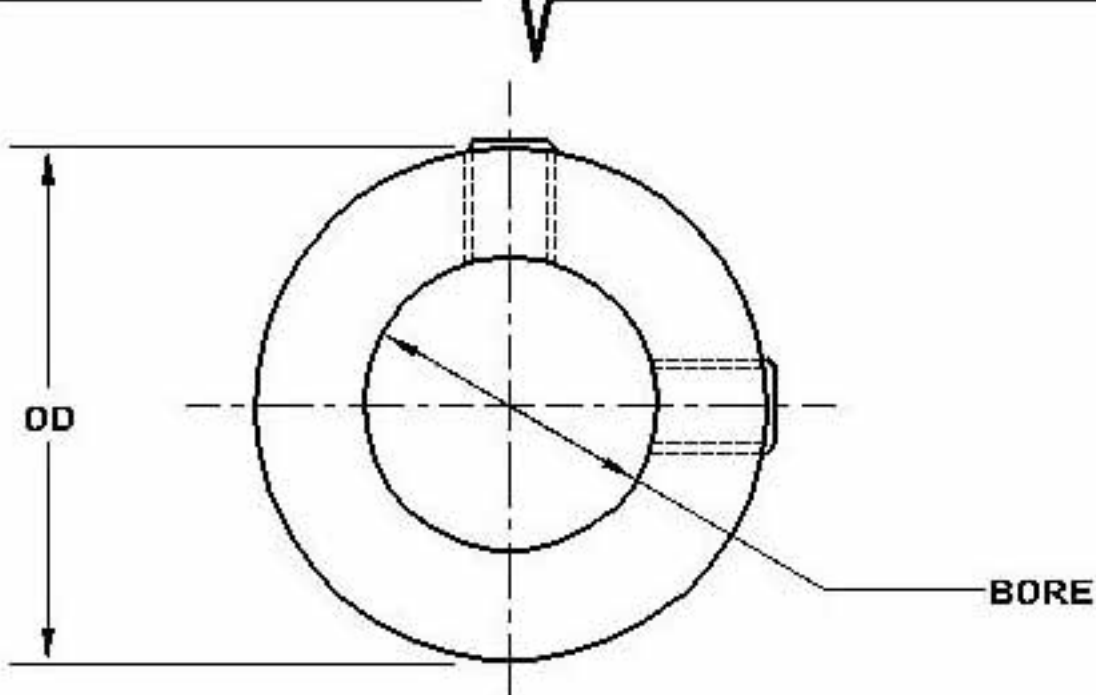


# CR4

# SERIES

COMMERCIAL COLLARS  
2 SCREW TYPE



SUFFIX	MATERIAL	FINISH
B	BRASS	<i>rf</i>
S	STAINLESS STEEL 303	CLEAR PASSIVATE

TOLERANCES			
INCH		METRIC	
.XX	±.016	.X	±.4
.XXX	±.005	.XX	±.13
BORE	+.002	BORE	+.05

CATALOG NO.	SUFFIX	BORE		OD		TH		SCREW
		IN	MM	IN	MM	IN	MM	IN & MM*
CR4-1025.125	B	.125	3.18	.312	7.93	.250	6.35	5-40
CR4-1421.250	S	.250	6.35	.437	11.10	.21	5.3	4-40
CR4-1828.313	S	.313	7.95	.562	14.27	.28	7.1	6-32
CR4-2437.375	S	.375	9.53	.750	19.05	.37	9.4	10-32

## IMPULSE

## MECHANISMS INC

78-82 N INDUSTRY CT  
DEER PARK NY 11729  
TEL (631) 586-5755  
FAX (631) 586-5757