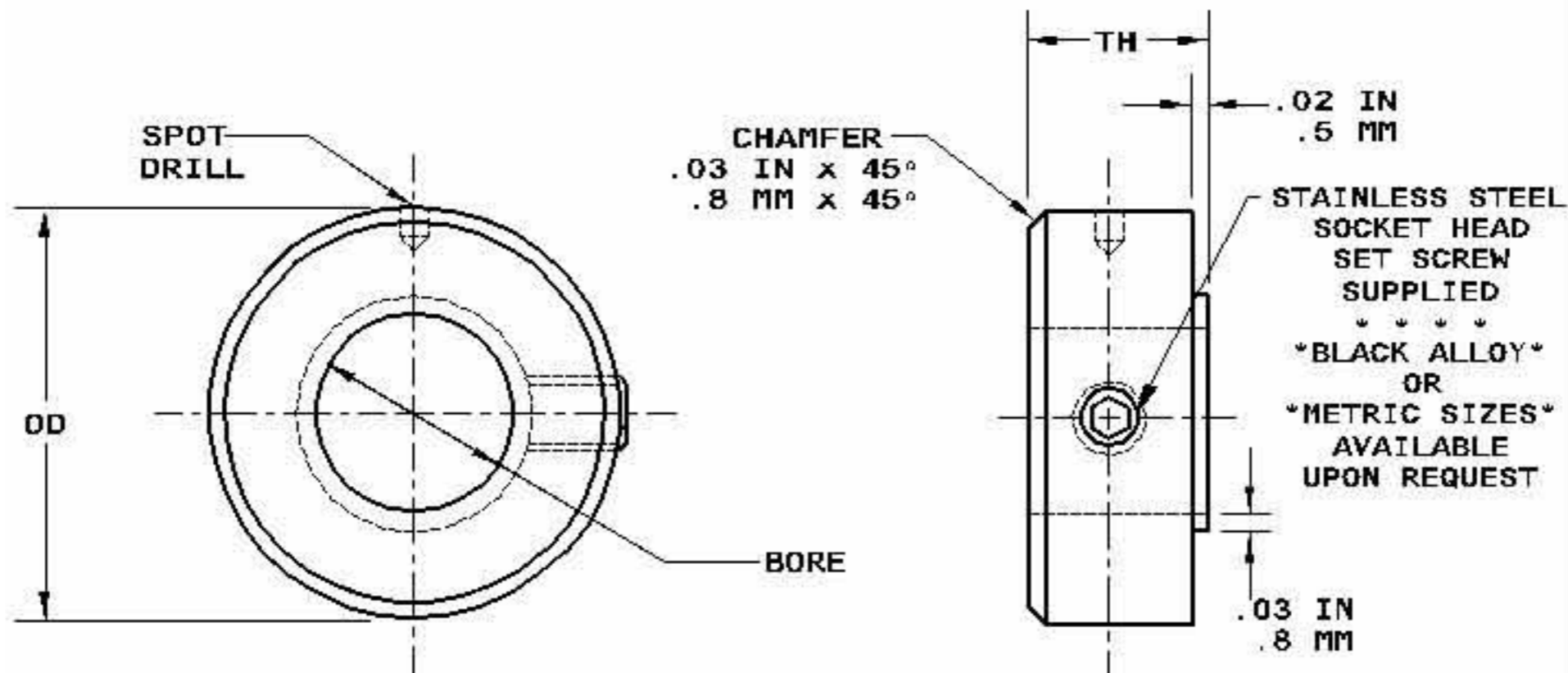


CR5

SERIES

PAGE 24
PRECISION
HUB COLLARS



SUFFIX	MATERIAL	FINISH
S	STAINLESS STEEL 303	CLEAR PASSIVATE

TOLERANCES			
INCH		METRIC	
.XX	$\pm .016$.X	$\pm .4$
.XXX	$\pm .005$.XX	$\pm .13$
BORE	$+ .0005$	BORE	$+ .013$

CATALOG NO.	SUFFIX	BORE		OD		TH		SPOT		SCREW
		IN	MM	IN	MM	IN	MM	IN	MM	IN & MM*
CR5-0712.0779	S	.0779	1.979	.218	5.54	.120	3.05	.015	.38	0-80
CR5-0812.0935	S	.0935	2.375	.250	6.35	.120	3.05	.015	.38	0-80
CR5-1018.1182	S	.1182	3.003	.313	7.9	.180	4.57	.028	.71	2-56
CR5-1018.1200	S	.1200	3.048							
CR5-1018.1248	S	.1248	3.170							
CR5-1018.1560	S	.1560	3.962							
CR5-1018.1576	S	.1576	4.003							
CR5-1222.1873	S	.1873	4.757	.375	9.5	.220	5.59	.040	1.02	4-40
CR5-1222.1970	S	.1970	5.003	.50	12.7	.25	6.3	.070	1.78	6-32
CR5-1625.2363	S	.2363	6.003							
CR5-1625.2405	S	.2405	6.209							
CR5-1625.2498	S	.2498	6.345							
CR5-1625.2757	S	.2757	7.003							
CR5-1828.3123	S	.3123	7.932	.56	14.2	.280	7.11	.070	1.78	6-32
CR5-1828.3151	S	.3151	8.003	.75	19.1	.375	9.53	.120	3.05	10-32
CR5-2437.3748	S	.3748	9.520							
CR5-2437.3938	S	.3938	10.003							
CR5-3243.4726	S	.4726	12.003	1.00	25.4	.437	11.10	.149	3.78	1/4-20
CR5-3243.4998	S	.4998	12.695	1.25	31.8	.500	12.70	.149	3.78	1/4-20
CR5-4050.5904	S	.5904	14.995							
CR5-4050.6248	S	.6248	15.870							
CR5-4050.6300	S	.6300	16.003	1.50	38.1	.562	14.27	.157	3.99	3/8-16
CR5-4856.7481	S	.7481	19.003							
CR5-4856.7498	S	.7498	19.045							
CR5-4856.7872	S	.7872	19.995	2.00	50.8	.625	15.88	.157	3.99	3/8-16
CR5-6462.9998	S	.9998	25.395							

IMPULSE

MECHANISMS INC

78-92 N INDUSTRY CT
DEER PARK NY 11729
TEL (631) 586-5755
FAX (631) 586-5757