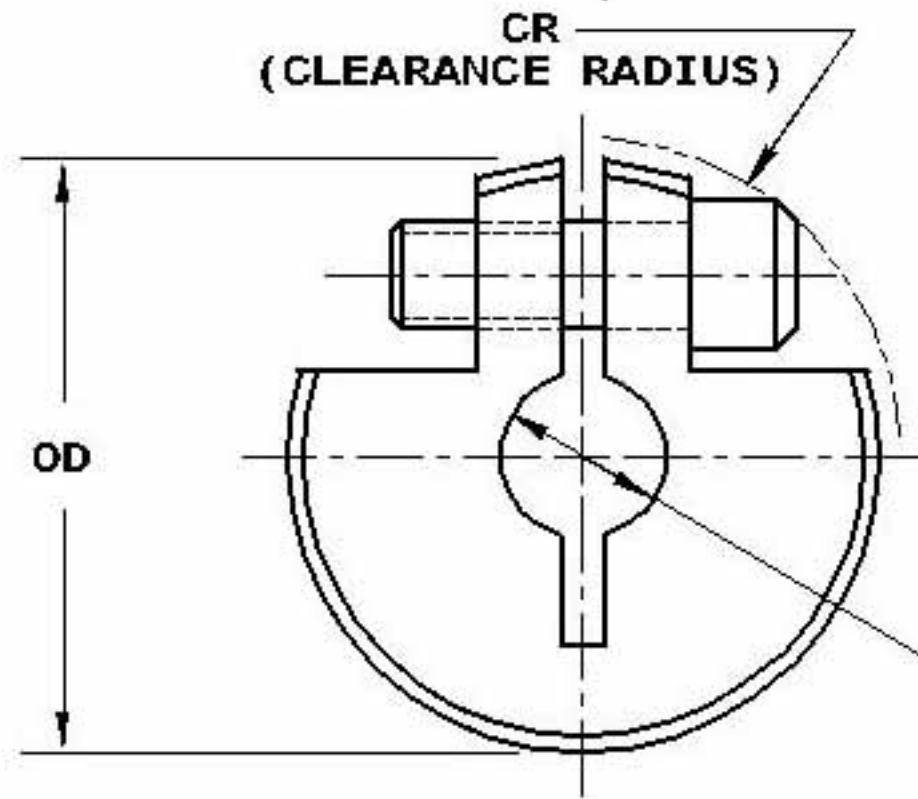


SH10

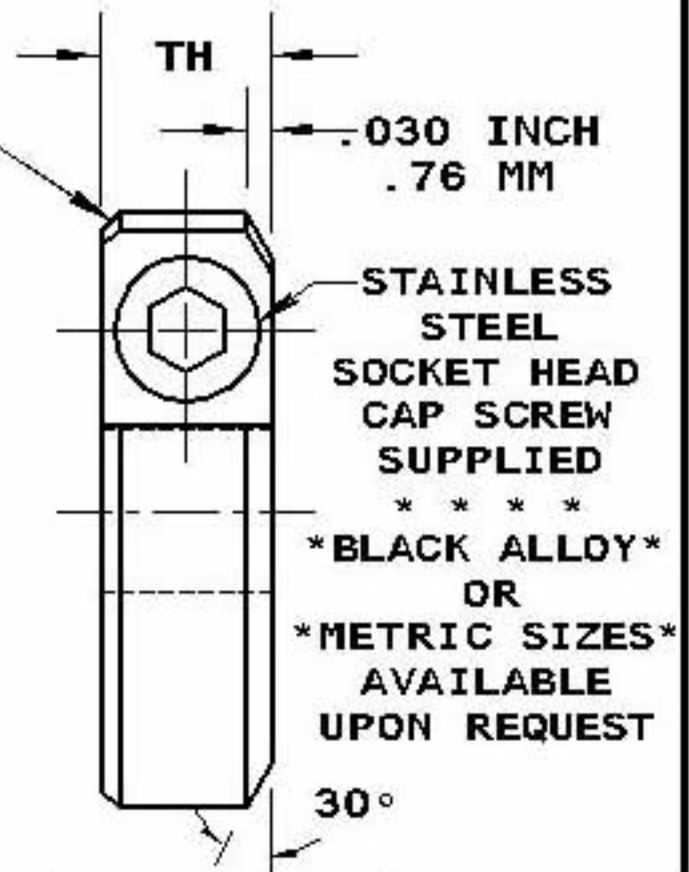
SERIES

SHAFT HUB CLAMPS



CHAMFER
 .020 INCH x 45°
 .50 MM x 45°

BORE
 +.001 INCH
 +.026 MM



CATALOG NO.	BORE		OD		TH		CR		SCREW	
	SUFFIX	INCH	MM	INCH	MM	INCH	MM	INCH	MM	INCH&MM*
SH10-1612.1875	S	.1875	4.763	.500	12.70	.120	3.05	.30	7.6	1-72
SH10-1612.1969	S	.1969	5.000							

IMPULSE MECHANISMS INC

78-82 N INDUSTRY CT
 DEER PARK NY 11729
 TEL (631) 586-5755
 FAX (631) 586-5757