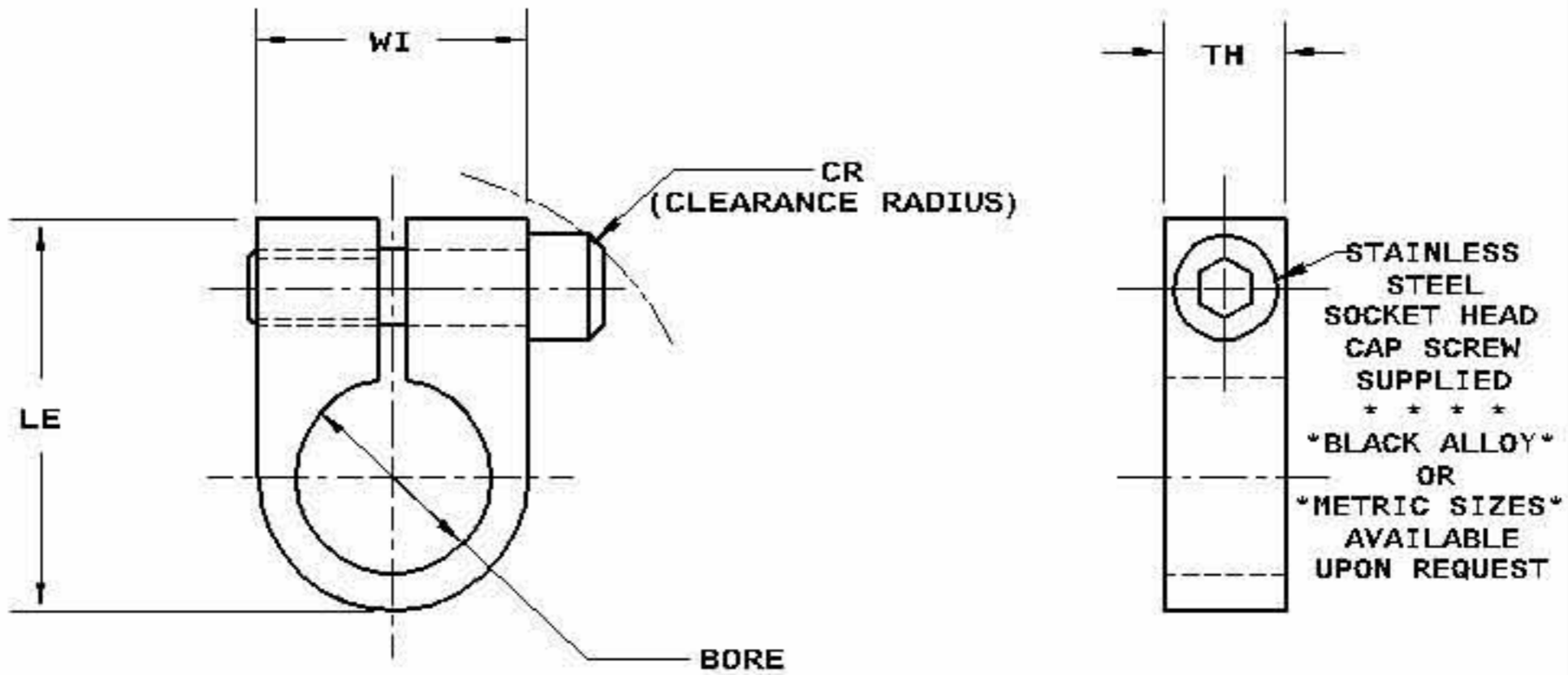


SH6

SERIES



SUFFIX	MATERIAL	FINISH
S	STAINLESS STEEL 303	CLEAR PASSIVATE
H	STAINLESS STEEL 416	RC 38-45 PASSIVATE
P	LOW CARBON STEEL	CADIUM PLATED

TOLERANCES			
INCH		METRIC	
.XX	± .016	.X	± .4
.XXX	± .005	.XX	± .13
BORE	+ .001	BORE	+ .026

CATALOG NO.	BORE		WI		TH		LE		CR		SCREW		
	IN	MM	IN	MM	IN	MM	IN	MM	IN	MM			
SH6-2214.188	S	P	.188	4.78	.312	7.92	.140	3.56	.47	11.9	.35	8.9	2-56
SH6-2225.188	S	H	.188	4.78	.312	7.92	.250	6.35	.47	11.9	.42	10.7	6-32
SH6-2225.197	S	H	.197	5.00									
SH6-2225.236	S	H	.236	6.00									
SH6-2414.251	S	P	.251	6.38	.375	9.53	.140	3.56	.50	12.7	.42	10.7	2-56
SH6-2725.251	S	H	.251	6.38	.375	9.53	.250	6.35	.56	14.2	.49	12.4	6-32
SH6-2725.276	S	H	.276	7.00									
SH6-2814.313	S	P	.313	7.95	.437	11.10	.140	3.56	.59	15.0	.49	12.4	2-56
SH6-2825.313	S	H	.313	7.95	.437	11.10	.250	6.35	.59	15.0	.51	13.0	6-32
SH6-2825.315	S	H	.315	8.00									
SH6-2825.354	S	H	.354	9.00									
SH6-2825.358	S		.358	9.09									
SH6-3214.376	S	P	.376	9.55	.500	12.70	.140	3.56	.65	16.5	.53	13.5	2-56
SH6-3225.376	S	H	.376	9.55	.500	12.70	.250	6.35	.65	16.5	.55	14.0	6-32
SH6-3225.394	S	H	.394	10.00									
SH6-3614.438	S	P	.438	11.13	.625	15.88	.140	3.56	.78	19.8	.57	14.5	2-56
SH6-3614.501	S	H	.501	12.73	.625	15.88	.250	6.35	.78	19.8	.64	16.3	6-32
SH6-3625.438	S	H	.438	11.13									
SH6-3625.472	S	H	.472	12.00									
SH6-3625.501	S	H	.501	12.73									
SH6-3625.512	S		.512	13.00									

IMPULSE MECHANISMS INC

78-82 N INDUSTRY CT
DEER PARK NY 11729
TEL (631) 586-5755
FAX (631) 586-5757