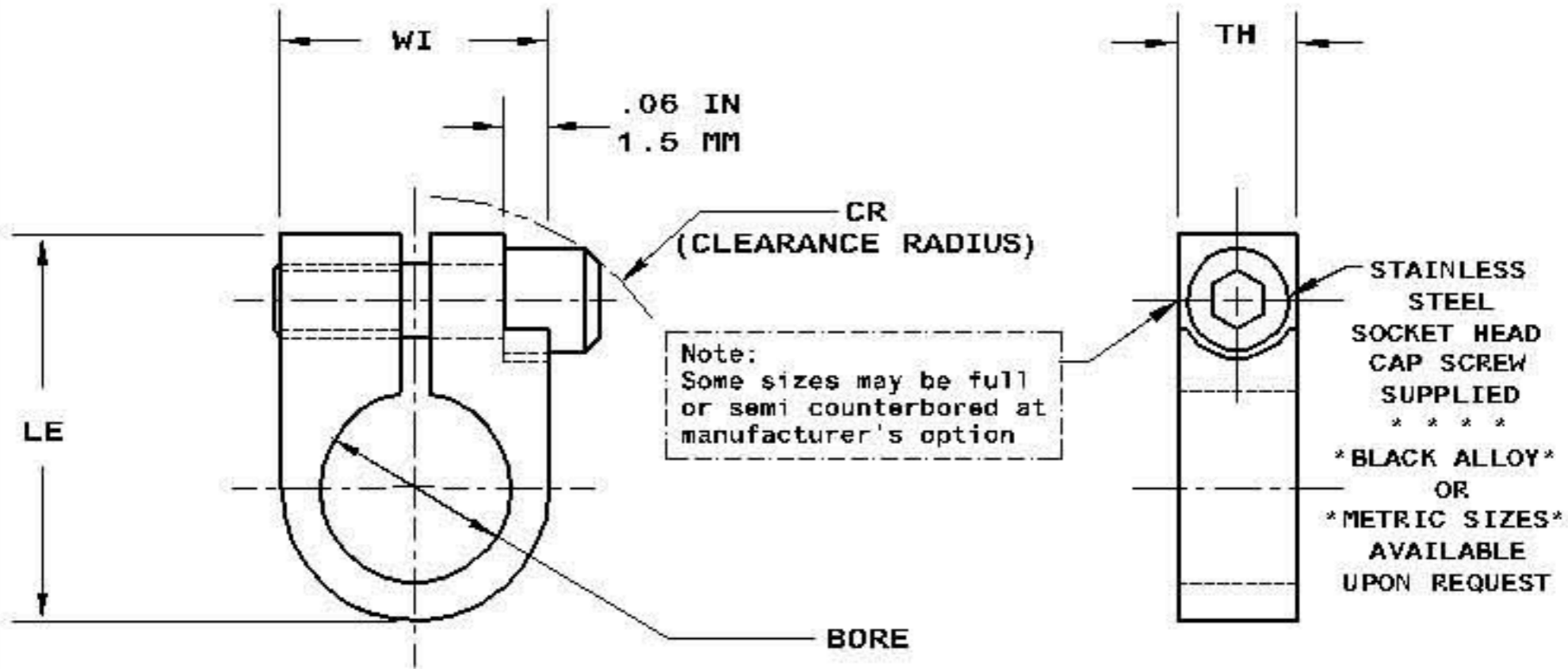


SH7

SERIES

PAGE 42
SHAFT
HUB CLAMPS



SUFFIX	MATERIAL	FINISH
S	STAINLESS STEEL 303	CLEAR PASSIVATE
H	STAINLESS STEEL 416	RC 38-45 PASSIVATE
P	LOW CARBON STEEL	CADMIUM PLATED

TOLERANCES			
INCH		METRIC	
.XX	±.016	.X	±.4
.XXX	±.005	.XX	±.13
BORE	+ .001	BORE	+ .026

CATALOG NO.	BORE		WI		TH		LE		CR		SCREW		
	IN	MM	IN	MM	IN	MM	IN	MM	IN	MM			
SH7-2214.188	S	P	.188	4.78	.312	7.92	.140	3.56	.47	11.9	.32	8.1	2-56
SH7-2225.188	S	H P	.188	4.78	.312	7.92	.250	6.35	.47	11.9	.38	9.7	6-32
SH7-2225.197	S		.197	5.00									
SH7-2225.236	S		.236	6.00									
SH7-2414.251	S	P	.251	6.38	.375	9.53	.140	3.56	.50	12.7	.38	9.7	2-56
SH7-2725.251	S	H P	.251	6.38	.375	9.53	.250	6.35	.56	14.2	.45	11.4	6-32
SH7-2725.276	S		.276	7.00									
SH7-2814.313	S	P	.313	7.95	.437	11.10	.140	3.56	.59	15.0	.40	9.7	2-56
SH7-2825.313	S	H P	.313	7.95	.437	11.10	.250	6.35	.59	15.0	.47	11.9	6-32
SH7-2825.315	S		.315	8.00									
SH7-2825.354	S		.354	9.00									
SH7-3214.376	S	P	.376	9.55	.500	12.70	.140	3.56	.65	16.5	.44	11.2	2-56
SH7-3225.376	S	H P	.376	9.55	.500	12.70	.250	6.35	.65	16.5	.51	13.0	6-32
SH7-3225.394	S		.394	10.00									
SH7-3614.438	S	P	.438	11.13	.625	15.88	.140	3.56	.78	19.8	.52	13.2	2-56
SH7-3614.501	S		.501	12.73	.625	15.88	.250	6.35	.78	19.8	.59	15.0	6-32
SH7-3625.438	S	H P	.438	11.13									
SH7-3625.472	S		.472	12.00									
SH7-3625.501	S		.501	12.73									
SH7-3625.512	S		.512	13.00									

IMPULSE MECHANISMS INC

78-82 N INDUSTRY CT
DEER PARK NY 11729
TEL (631) 586-5755
FAX (631) 586-5757